

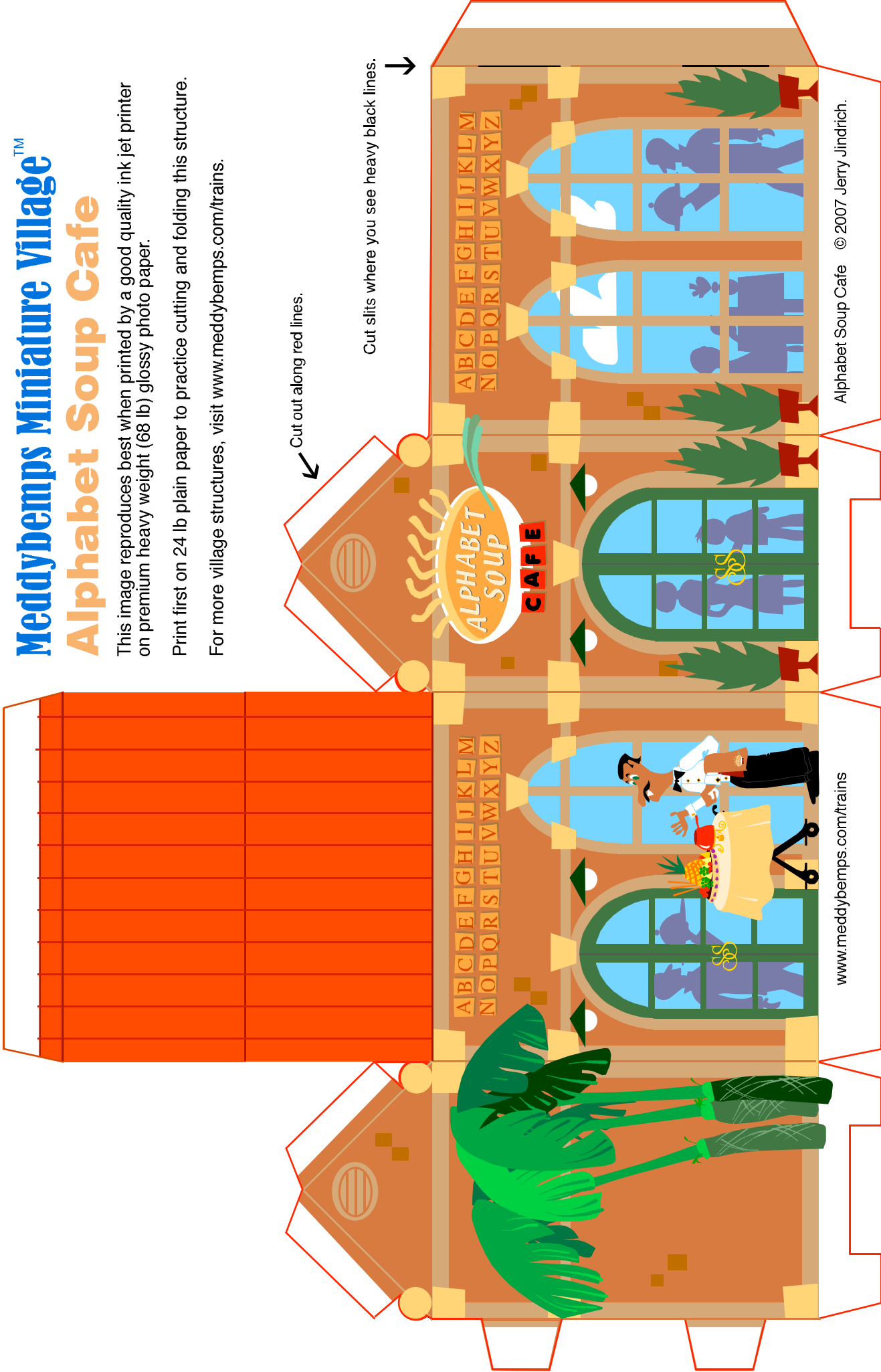
Meddybemps Miniature Village™

Alphabet Soup Cafe

This image reproduces best when printed by a good quality ink jet printer on premium heavy weight (68 lb) glossy photo paper.

Print first on 24 lb plain paper to practice cutting and folding this structure.

For more village structures, visit www.meddybemps.com/trains.



Meddybemps Miniature Village™

Alphabet Soup Cafe Letterary Society Meeting on Patio

Refer to diagram below to see how to fold sections.

When complete, the patio will have three walls. The side of the building provides the fourth wall.

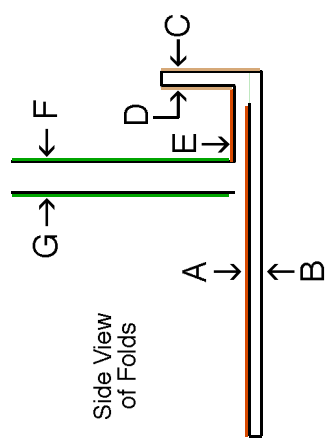


Tape this edge down to B.

Alphabet Soup Cafe Patio
© 2007 Jerry Jindrich.
www.meddybemps.com/trains

Last step: fold under floor and secure with tape to hold side walls up.

Last step: fold under floor and secure with tape to hold side walls up.



F is whole image of trees and people. Trim as closely as you are comfortable doing. Remove some white space under umbrella if you can.

E This is outside third of patio floor. Tape tabs under B.

Follow red guide to cut slit between lower part of tree and Frogwart's chair. When folding side wall, slip it into this slit to help hold people image upright.

Optional backside to group.
Cut out and glue to main image.
Cut red slit for side wall support.

